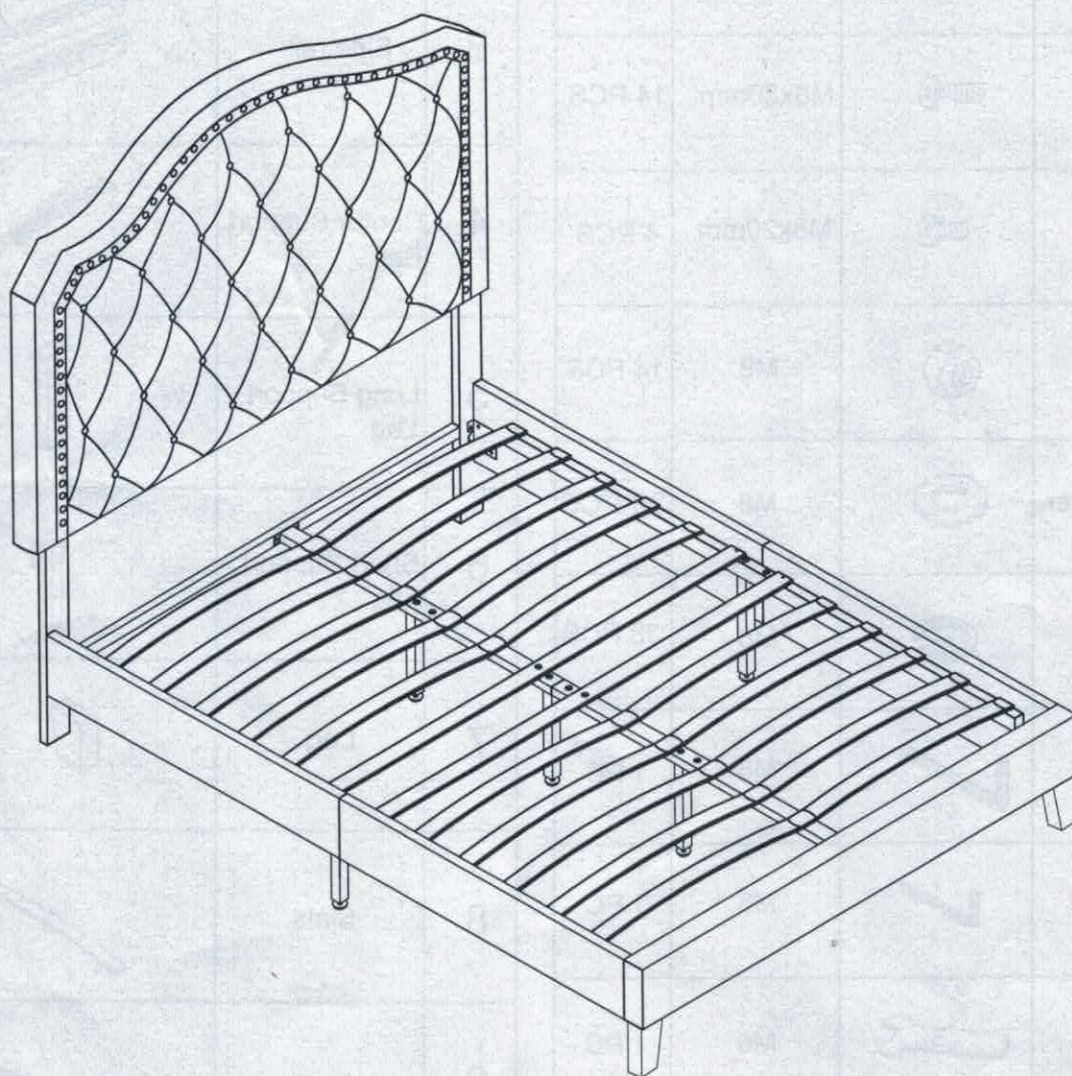


ASSEMBLY INSTRUCTIONS

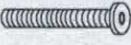

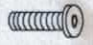




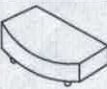
QUEEN BED



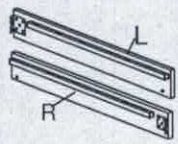

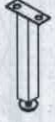




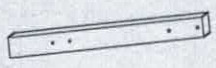
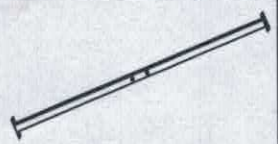


ASSEMBLY INSTRUCTIONS

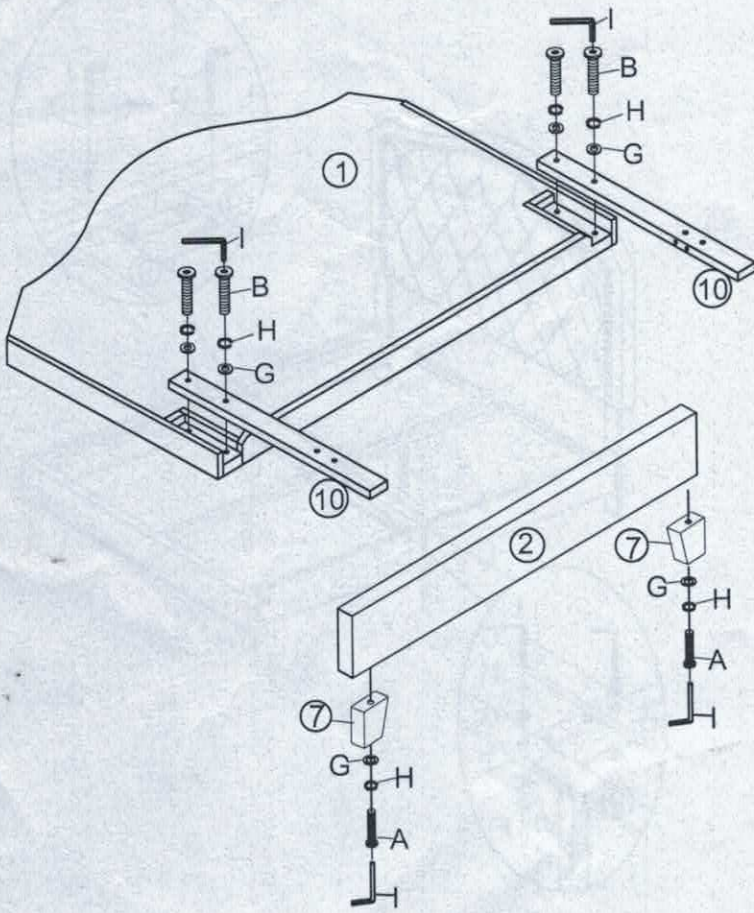
HARDWARE LIST

PARTS LIST

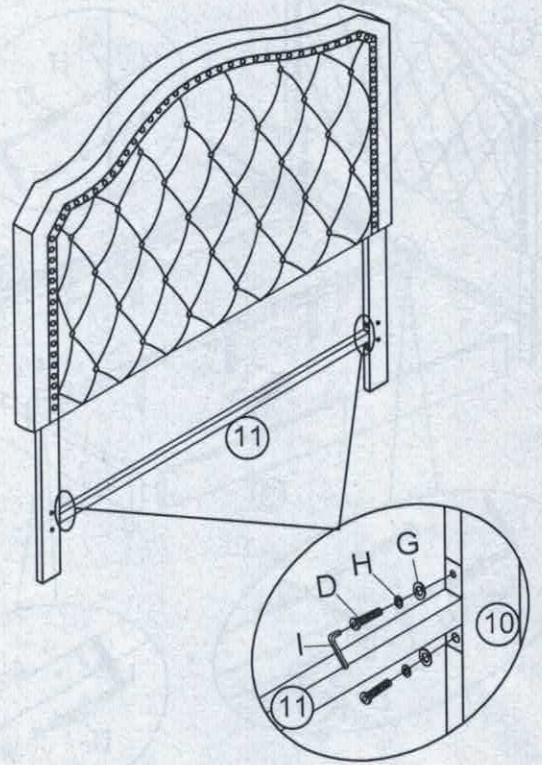
A	Bolt		M8x100mm	2 PCS
B	Bolt		M8x50mm	4 PCS
C	Bolt		M8x40mm	14 PCS
D	Bolt		M8x30mm	14 PCS
E	Bolt		M8x20mm	4 PCS
F	Nut		M8	14 PCS
G	Flat Washer		M8	38 PCS
H	Spring Washer		M8	38 PCS
I	Allen Key		M8	1 PC
J	Allen Key		M8	1 PC
K	Wrench		M8	1 PC
L	Screw		M8x30mm	4 PCS
M	Plastic Cap			10PCS
N	End Cap			20PCS

1	Headboard		1 PC
2	Footboard		1 PC
3	Side rail		4 PCS
4	Center Support Bar		2 PCS
5	Long Support Leg		3 PCS
6	Short Support Leg		2 PCS
7	Leg		2 PCS
8	Slats		20 PCS
9	Long Slat		2 PCS
10	Leg		2 PCS
11	Center Support Bar		1 PC

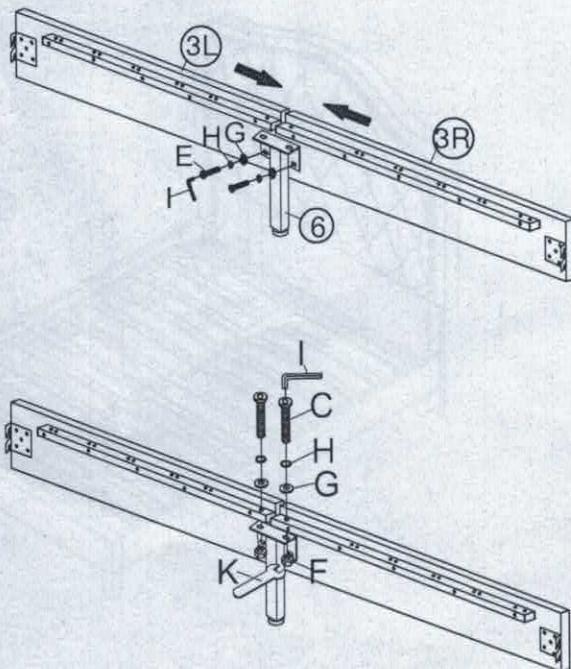
Step 1:



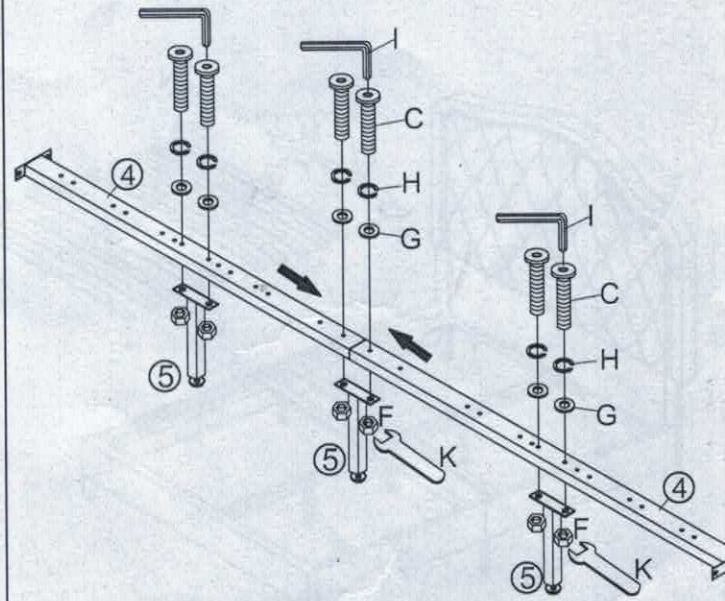
Step 2:



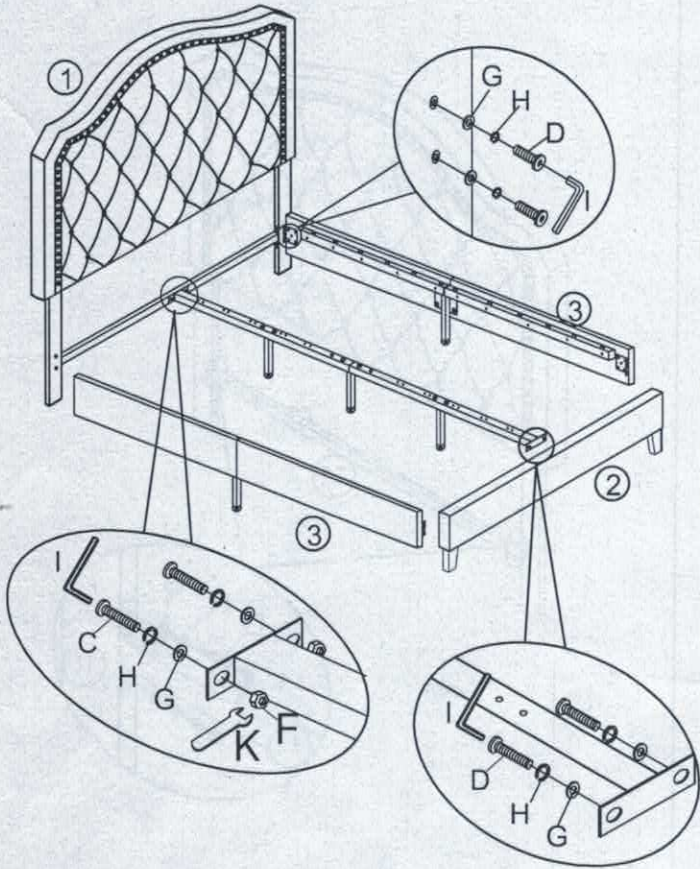
Step 3:



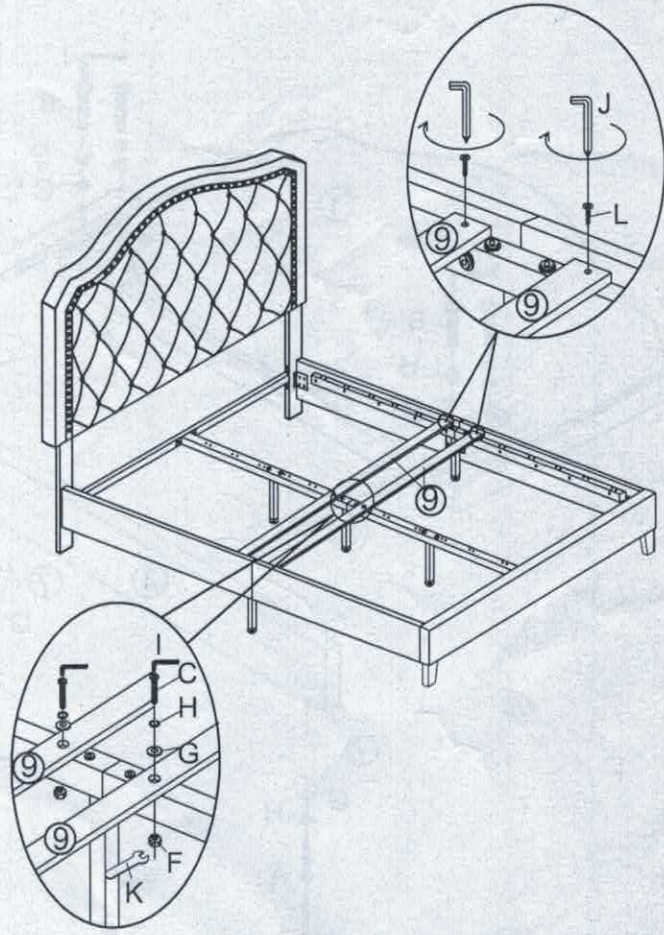
Step 4:



Step 5:



Step 6:



Step 7:

